

Specification

LED Module M11A Series



Features

- High brightness Lumileds Luxeon 3030 LEDs
- IP68 rating
- Super long lifetime (lumen maintenance)
- Full range of power selections

Applications

- Residential Lighting
- Buried Lighting
- High/Low bay Lighting
- Garden Lighting

All copyrights related to the datasheet shall be reserved by Hangzhou Hpwinner Opto Corporation.
And it is prohibited to fully or partially copy this datasheet without written consent of Hangzhou Hpwinner Opto Corporation.

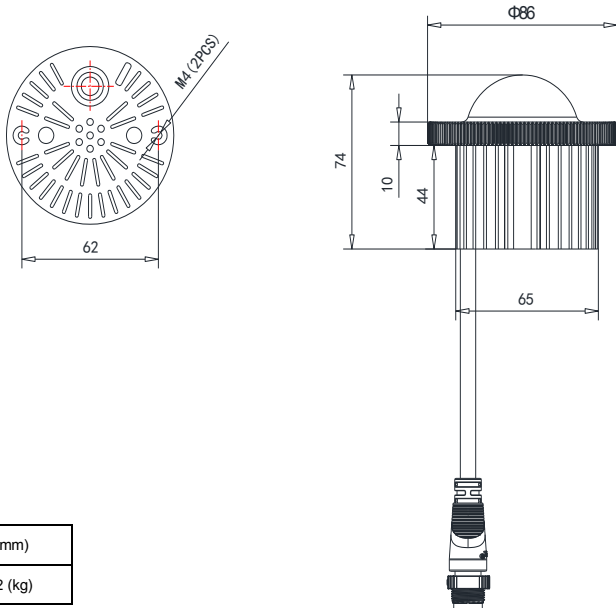
Contents

Dimensions and Weight.....	3
Electrical and Photometric Specifications.....	3
Environmental Specifications.....	3
Lighting Distributions.....	4
Drivers Recommendation.....	4
Waterproof Connectors Recommendation.....	5
Connectors Operation Guide.....	5
Package Information.....	6



All copyrights related to the datasheet shall be reserved by Hangzhou Hpwinner Opto Corporation.
And it is prohibited to fully or partially copy this datasheet without written consent of Hangzhou Hpwinner Opto Corporation.

Dimensions and Weight



Unit: mm
Tolerance: ±0.2mm

Size	Φ86x74(mm)
Weight	0.22±0.02 (kg)

Electrical and Photometric Specifications

Model	Power @Power Efficiency=90%	Drive Current	Luminous Efficiency	Lumens	DC Input Voltage	CCT	CRI	Beam Type	Lighting Source
M11A	20W (6P4S)	700mA	105±5lm/W	2100±100lm	22~26V	3000K, 4000K, 5000K, 5700K	≥70	120 Degree	Lumileds Luxeon 3030 LEDs (24pcs)

Note:

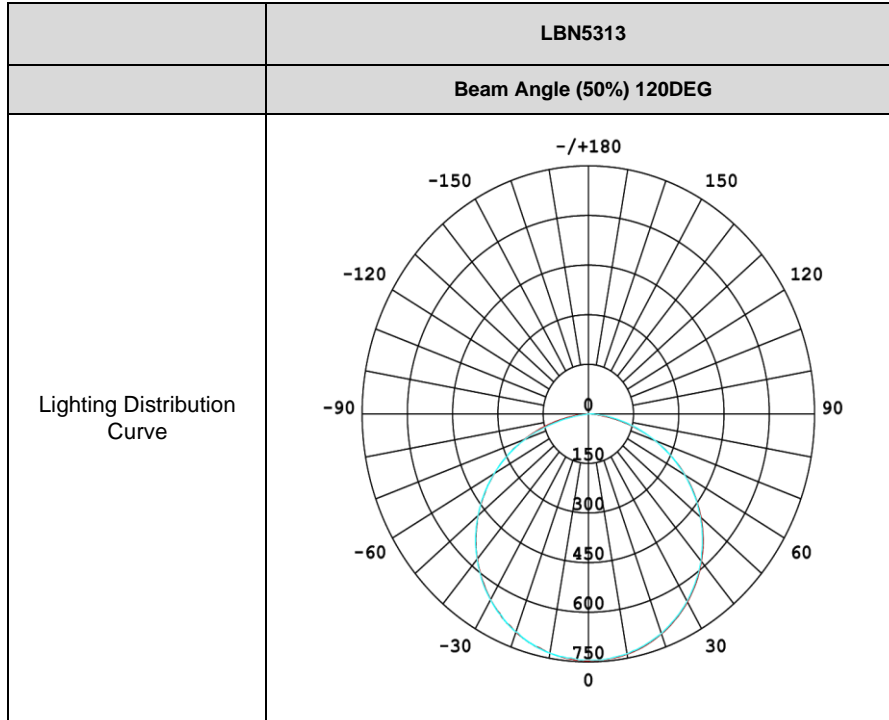
1. Forward Current is measured with an accuracy of 5%.
2. Lumens are measured with an accuracy of 5%.
3. Above are all typical values.

Environmental Specifications

Parameter	Symbol	Rating	Unit
Ts Typical	T _s	76	°C
Operating Temperature	T _{opr}	-40~+50	°C
Storage Temperature	T _{stg}	-40~+50	°C
Relative Humidity	RH	10~90	%
IP Rating	IP	68	/

Note: Based on 25°C ambient temperature.

Lighting Distribution






Drivers Recommendation

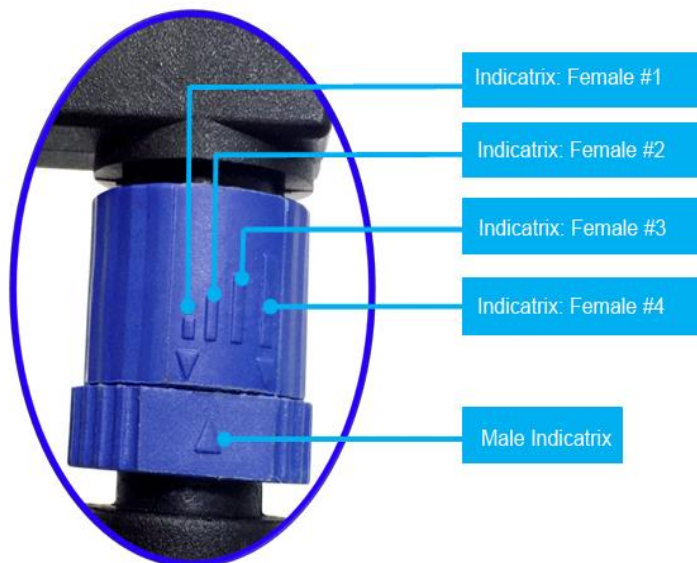
Driver Description	Invevtronics Driver	MOSO Driver
Driver for 1 module 20W @700mA	EUC-026S070SVM	-
Driver for 2 modules 40W @700mA	EUG-075S070DV	LDC-075R062 LDC-075M062
Driver for 3 modules 60W @700mA	EUG-075S070DV	LDP-105R150 LDP-105M150
Driver for 4 modules 80W @700mA	EUG-096S070DV	LDP-150R214 LDP-150M214
Driver for 5 modules 100W @700mA	EUG-096S070DV	LDP-150R214 LDP-150M214

All copyrights related to the datasheet shall be reserved by Hangzhou Hpwinner Opto Corporation.
And it is prohibited to fully or partially copy this datasheet without written consent of Hangzhou Hpwinner Opto Corporation.

Waterproof Connectors Recommendation

Picture	Description
	IP68 connector for 2 modules both in parallel and in series
	IP68 connector for 3 modules both in parallel and in series
	IP68 connector for 4 modules both in parallel and in series

Connectors Operation Guide



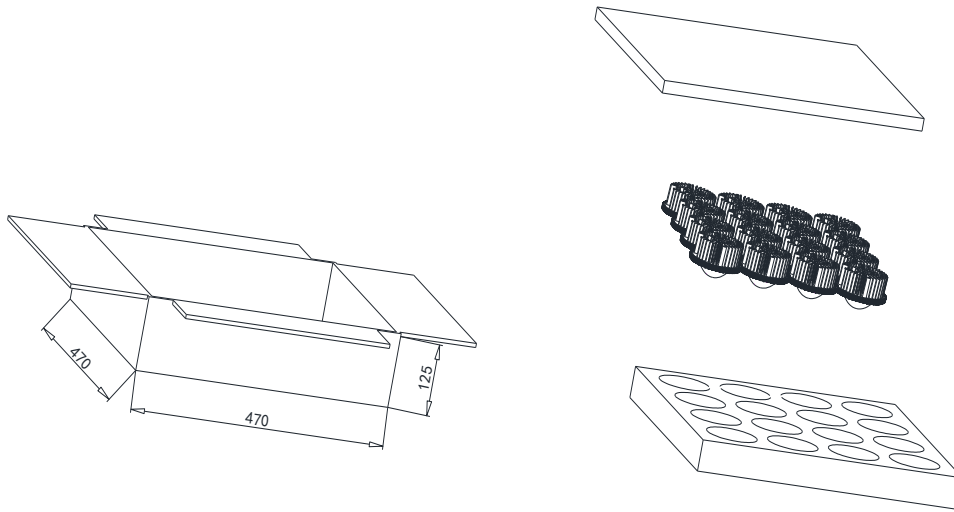
Operation Guide:

Spin the male terminal clockwise. When the male indicatrix points between indicatrix female #2 and #3, and the gap between male and female terminals is extremely small, the connectors are well connected; otherwise, there will be risks in its waterproof performance.

When the gap between male and female terminals is extremely small, if any looseness can be sensed, please spin the male terminal clockwise until tight.

www.hpwinner.com

Package Information



Master Carton

Inner Packing

Notes:

1. Packing dimensions: 470*470*125mm, 16pcs/carton
2. Total weight for the packing: 4.1Kg (weight of the empty packing is 0.5Kg)