

## Specification LED Module M12A Series

### Features

- Customized chips from world-leading supplier
- Super high lighting efficiency (low power consumption)
- IP68 rating
- Super long lifetime (lumen maintenance)
- Wide applicability for Complex situations

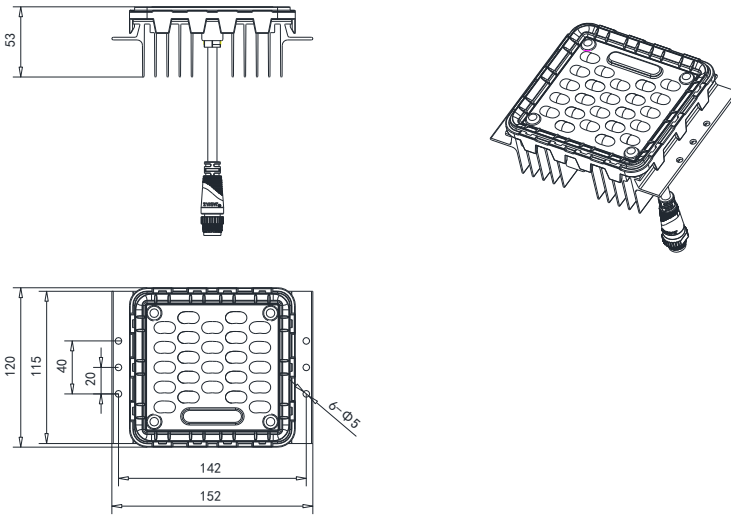


### Applications

- Tunnel Light
- Street Light



## Dimensions and Weight



Unit : mm

Tolerance : ±0.2mm

<b>Size</b>	152x115x53 (mm)
<b>Weight</b>	0.45±0.03 (kg)

## Electrical and Photometric Specifications

Model	Power @Power Efficiency=90%	Drive Current (mA)	Luminous Efficiency ( lm/W )	Initial Lumens(lm)	DC Input Voltage(V)	CCT(K)	CRI	Beam Type	Lighting Source
M12A (14PCS)	30W	550	150±8	4500±240	40~54V	3000K, 4000K, 5000K, 5700K	≥70	Iso- Brightness	Customized chips from world-leading supplier (7P2S)
	40W	750	145±8	5800±320					
	50W	900	137±8	6850±400					
	60W	1100	130±8	7800±480					

Note:

Above are all typical values.

## Electrical and Photometric Specifications

Model	Power @Power Efficiency=90%	Drive Current (mA)	Luminous Efficiency ( lm/W )	Initial Lumens(lm)	DC Input Voltage(V)	CCT(K)	CRI	Beam Type	Lighting Source
M12A (18PCS)	30	600	155±8	4650±240	40~54V	3000K, 4000K, 5000K, 5700K	≥70	Iso- Brightness	Customized chips from world-leading supplier (9P2S)
	40	800	150±8	6000±320					
	50	1000	143±8	7150±400					
	60	1200	135±8	8100±480					
M12A (24PCS)	30	600	160±8	4800±240	40~54V	3000K, 4000K, 5000K, 5700K	≥70	Iso- Brightness	Customized chips from world-leading supplier (12P2S)
	40	800	155±8	6200±320					
	50	1000	147±8	7350±400					
	60	1200	140±8	8400±480					

Note:

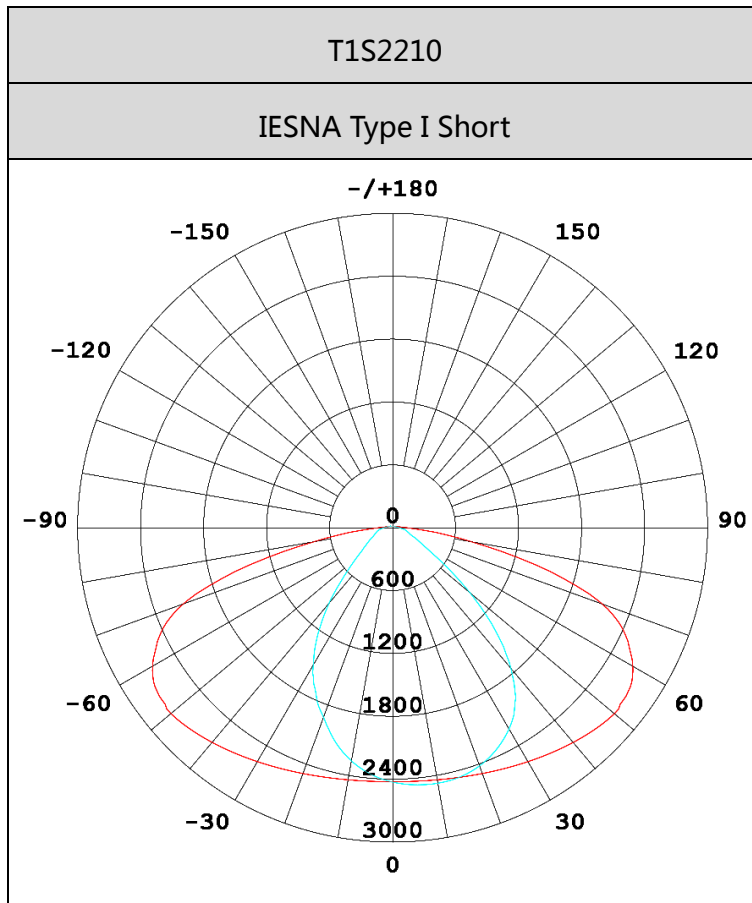
Above are all typical values.

## Environmental Specifications

Parameter	Symbol	Rating	Unit
Ts Typical	T <sub>s</sub>	75°C	°C
Operating Temperature	T <sub>opr</sub>	-40°C ~ +50°C	°C
Storage Temperature	T <sub>stg</sub>	-40°C ~ +50°C	°C
Relative Humidity	RH	10% ~ 90%RH	%
IP Rating	IP	IP68	/

Note: Based on 25°C ambient temperature.




## Lighting Distribution



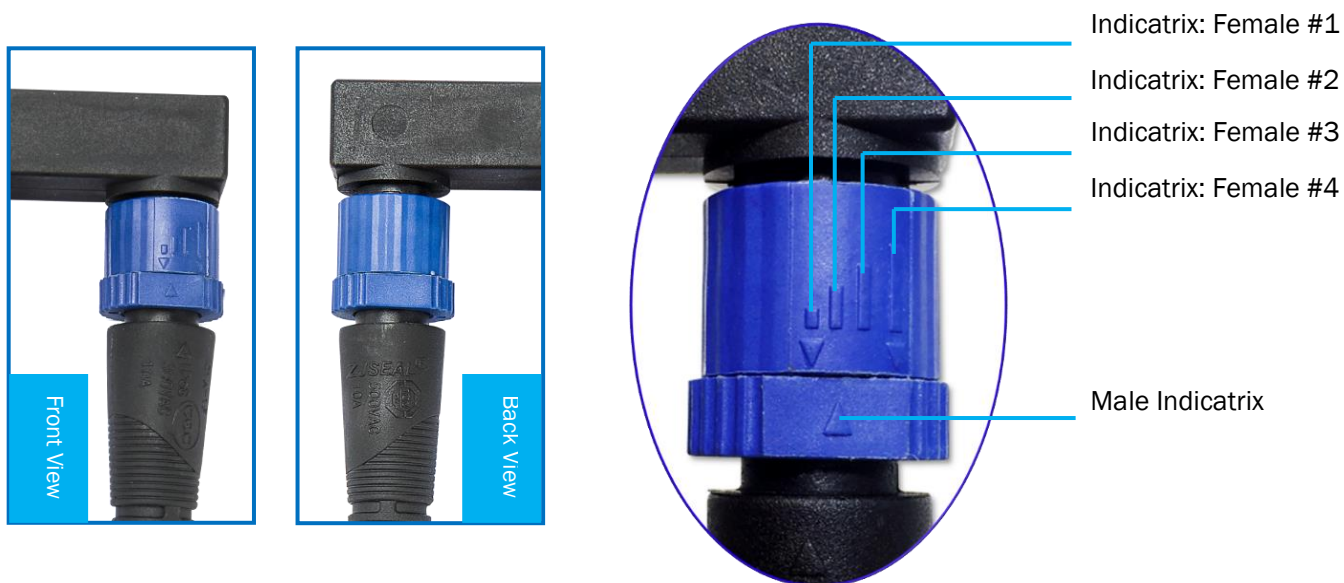
## Drivers Recommendation

Driver Description	Specification of Driver	Matched Modules
Driver for 1 module	Max Output Power: 75W Output Voltage: 40-54V	30W @ 550mA / 30W @ 600mA 40W @ 750mA / 40W @ 800mA 50W @ 900mA / 50W @ 1000mA 60W @ 1100mA / 60W @ 1200mA
Driver for 2 module	Max Output Power: 105W Output Voltage : 80-108V	40Wx2 @ 750mA / 40Wx2 @ 800mA 50Wx2 @ 900mA / 50Wx2 @ 1000mA
Driver for 2 module	Max Output Power: 150W Output Voltage : 80-108V	60Wx2 @ 1100mA / 60Wx2 @ 1200mA
Driver for 3 module	Max Output Power: 150W Output Voltage : 120-162V	40Wx3 @ 750mA / 40Wx3 @ 800mA 50Wx3 @ 900mA / 50Wx3 @ 1000mA
Driver for 3 module	Max Output Power: 200W Output Voltage : 120-162V	60Wx3 @ 1100mA / 60Wx3 @ 1200mA
Driver for 4 module	Max Output Power: 200W Output Voltage : 160-216V	40Wx4 @ 750mA / 40Wx4 @ 800mA 50Wx4 @ 900mA / 50Wx4 @ 1000mA

## Waterproof Connectors Recommendation

Picture	Description
	IP68 connector for 2 modules in series (80W/100W/120W)
	IP68 connector for 3 modules in series (120W/150W/180W)
	IP68 connector for 4 modules in series (160W/200W/240W)

## Connectors Operation Guide

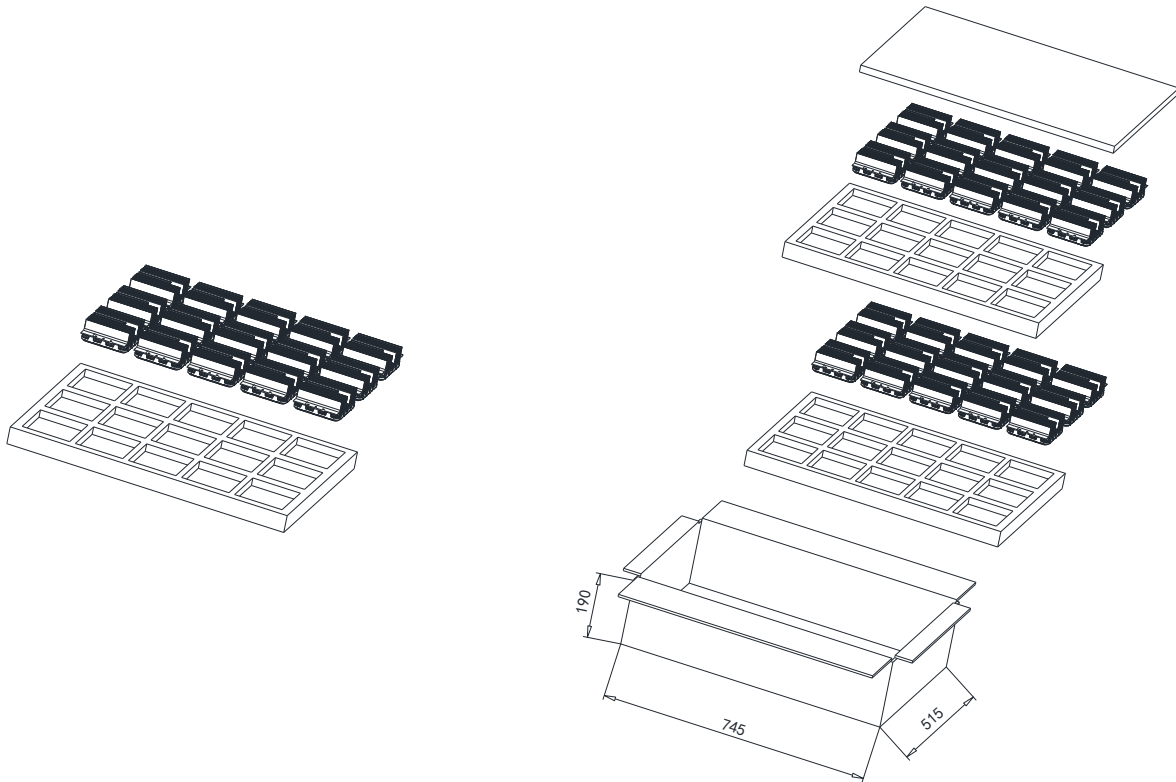


### Operation Guide:

Spin the male terminal clockwise. When the male indicatrix points between indicatrix female #2 and #3, and the gap between male and female terminals is extremely small, the connectors are well connected; otherwise, there will be risks in its waterproof performance.

When the gap between male and female terminals is extremely small, if any looseness can be sensed, please spin the male terminal clockwise until tight.

## Package Information



15 pcs/ tray

2 tray/ carton

### Notes:

- 1、 Packing dimensions: 745\*515\*190mm , 30pcs/carton
- 2、 Total weight for the packing: 14.7Kg (weight of the empty packing is 1.2Kg)

## Revision History

Change Date	Rev.	Description of Change		
		Item	From	To
2017/04/21	Rev1.0	Datasheets Release		