

Specification

M7B LED Module Series

Features

- Customized chips from Lumileds
- IP68 rating
- Super long lifetime (lumen maintenance)
- Super high lighting efficiency
- Wide applicability for Complex situations



Applications

- Street Light
- Tunnel Light



M7B-8



M7B-18

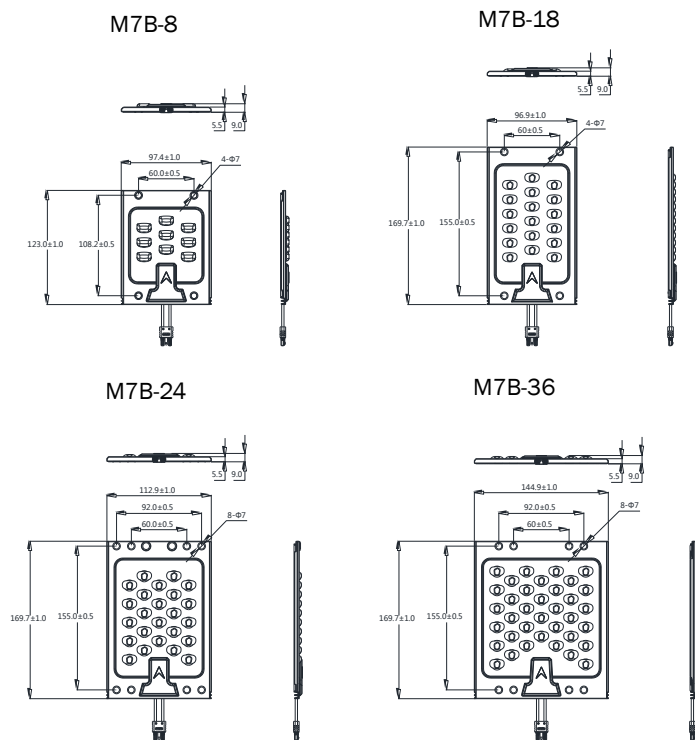


M7B-24



M7B-36

Dimensions and Weight



M7B-8	Size	123.0x97.4x9.0 (mm)
	Weight	0.125±0.03 (kg)
M7B-18	Size	169.7x96.9x9.0 (mm)
	Weight	0.165±0.03 (kg)
M7B-24	Size	169.7x112.9x9.0 (mm)
	Weight	0.180±0.03 (kg)
M7B-36	Size	169.7x144.9x9.0 (mm)
	Weight	0.235±0.03 (kg)

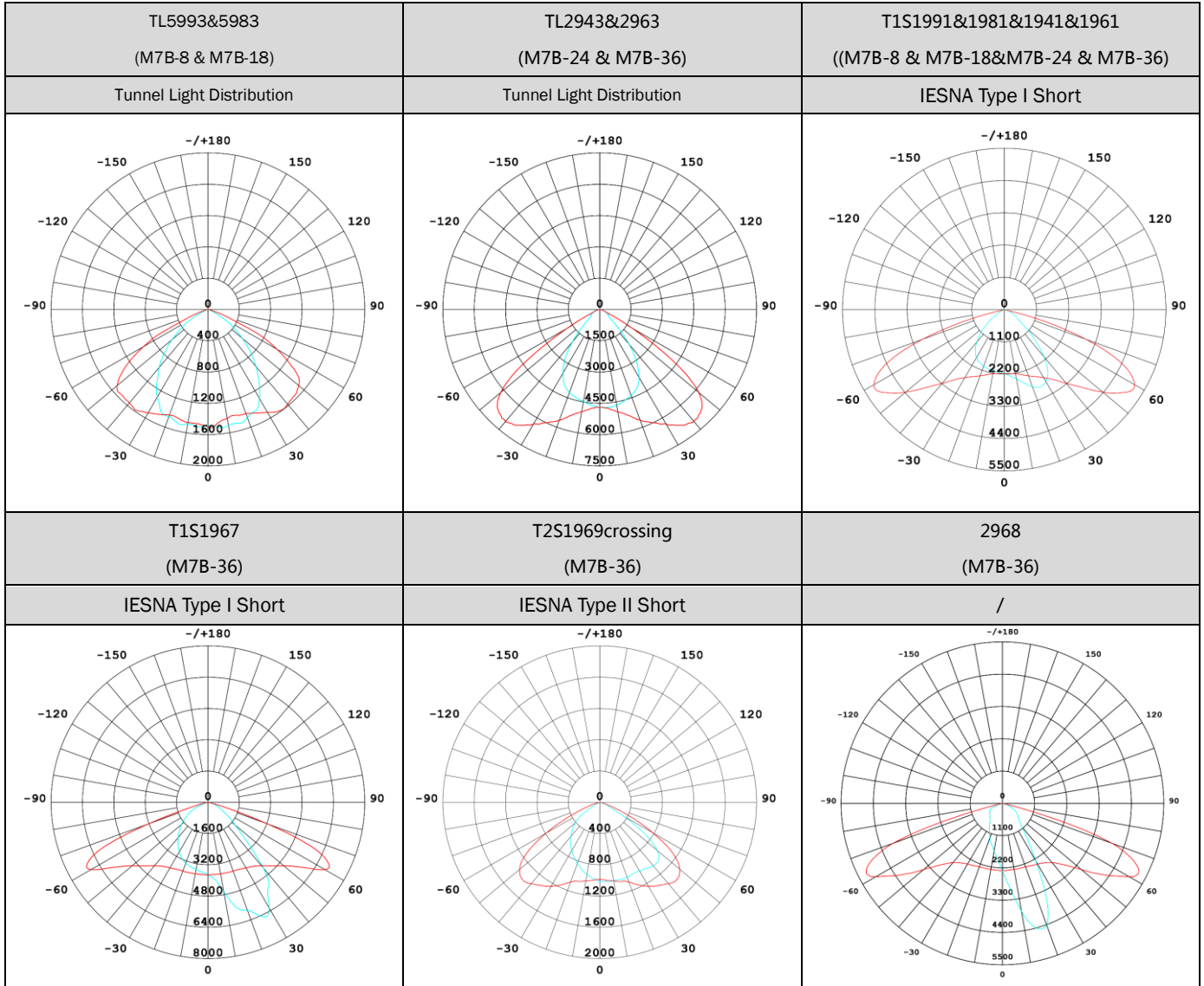
Tolerance: ±0.2mm

Electrical and Photometric Specifications

Model	Power @Power Efficiency=90%	Drive Current (mA)	Efficacy (lm/W)	Initial Lumens (lm)	DC Input Voltage (V)	CCT (K)	CRI	Lighting Source
M7B-8	30W	550mA (4P2S)	117±8	3510±240	40~54	3000 4000 5000 5700	≥70	Lumileds
M7B-18	30W	600mA (9P2S)	130±8	3900±240	40~54			
M7B-24	40W	800mA (12P2S)	137±8	5480±320	40~54			
	50W	1000mA (12P2S)	130±8	6500±400	40~54			
	60W	1200mA (12P2S)	123±8	7380±480	40~54			
M7B-36	40W	800mA (18P2S)	143±8	5720±320	40-54			
	50W	1000mA (18P2S)	137±8	6850±400	40-54			
	60W	1200mA (18P2S)	130±8	7800±480	40-54			

- Note: 1. Above photometric parameters based on 90% transmittance of glass.
 2. M7B series can not be used alone. It should be used with heat sink or other effective heat dissipation structure.
 3. Above are all typical values.

Light Distributions



Environmental Specifications

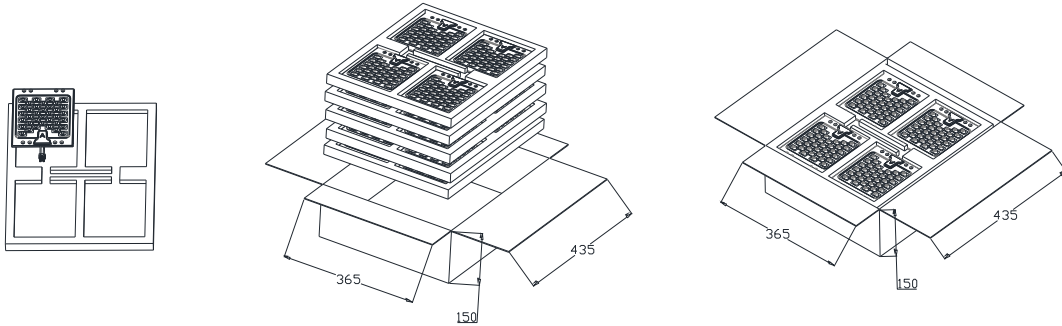
Parameter	Symbol	Rating	Unit
Operating Temperature	T _{opr}	-40°C ~ +50°C	°C
Storage Temperature	T _{stg}	-40°C ~ +50°C	°C
Relative Humidity	RH	10% ~ 100%RH	%
IP Rating	IP	IP68	/

Note: Based on 25°C ambient temperature.

Drivers Recommendation

Driver Description	Specification of Driver	Matched Modules
Driver for 1 module	Max Output Power: 35W DC Output Voltage: 32-64V	M7B-8 @ 30W @ 550mA M7B-18 @ 30W @ 600mA
Driver for 1 module	Max Output Power: 42W DC Output Voltage: 28-53V	M7B-24 @ 40W @ 800mA M7B-36 @ 40W @ 800mA
Driver for 1 module	Max Output Power: 75W DC Output Voltage: 35-62V	M7B-36 @ 50W @ 1000mA M7B-36 @ 50W @ 1000mA M7B-24 @ 60W @ 1200mA M7B-36 @ 60W @ 1200mA
Driver for 2 modules	Max Output Power: 105W DC Output Voltage: 60-150V	M7B-24 @ 2x40W @ 800mA M7B-36 @ 2x40W @ 800mA M7B-24 @ 2x50W @ 1000mA M7B-36 @ 2x50W @ 1000mA
Driver for 2 modules	Max Output Power: 150W DC Output Voltage: 60-120V	M7B-24 @ 2x60W @ 1200mA M7B-36 @ 2x60W @ 1200mA

Package Information



4pcs/ tray

5trays/carton

20pcs/carton

Notes:

1. Packing dimensions: 435*365*150mm 20pcs/carton
2. M7B-8 Total weight for the packing: 4.0Kg (weight of the empty packing is 1.5Kg)
M7B-18 Total weight for the packing: 4.8Kg (weight of the empty packing is 1.5Kg)
M7B-24 Total weight for the packing: 5.1Kg (weight of the empty packing is 1.5Kg)
M7B-36 Total weight for the packing: 6.2Kg (weight of the empty packing is 1.5Kg)

Ordering Information

Sample Number: M7B-36-L-5993-7-30

Module Type	LED Qty	LED Brand	Lens Code	CRI	CCT	
M7B	9	L LUMILEDS	5993& 5983	7 Ra \geq 70	30	
	18		Tunnel Lighting		3000K	
	18		2943&2963		Tunnel Lighting	40
	24		1991@1981&1941&1961		Type I Short	50
	24		1967		Type I Short	5000K
	36		1969		Type II short	57
		2968	Flood Lighting	5700K		

Version History

Change Date	Version	Description of Change		
		Item	From	To
2017/6/21	Ver.1.0	Data sheet release	/	/
2017/10/20	Ver.2.0	Version update	/	Optimized Efficacy and power; Add the light distributions.