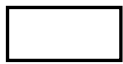


Applications

- Roadway lighting
(Secondary trunk road, branch road...)
- Public areas lighting
(Residential areas , theme parks, squares...)



Standard Colors



White



Black



Grey

Features

- All metal structure design, built-in driver; easy tool onsite maintenance;
- Integration of lamp housing heat dissipation technology.
- Installation inclination angle adjustable within $\pm 5^\circ$;
- IP66 driver box and optional photocell;
- Ergonomic light distribution to achieve uniform illumination effect.



Electrical & Photometric

Model	Input Voltage (V) Frequency Range (Hz)	Drive Current (mA)	Power (w)	Luminous Efficacy (lm/w)	Lumens (lm)	Power Factor	Power Efficiency	Light Distributions	LED Brand	CCT (k)	CRI
T1D-1	AC100-240 50 / 60	700 (14pcs in series)	30	105±5	3150±150	0.95	88%	Type I Short Type III Medium	Lumileds Luxeon TX	3000 ^① 4000 5000 5700	≥70
		700 (18pcs in series)	40	105±5	4200±200						
		860 (18pcs in series)	50	100±5	5000±250						
		1050 (18pcs in series)	60	95±5	5700±300						
T1D-1	AC100-240 50 / 60	700 (5P7S)	30	100±5	3000±150	0.95	88%	Type I Medium	Lumileds Luxeon 3030	3000 4000 5000 5700	≥70
		700 (7P9S)	40	110±5	4400±200						
		860 (7P9S)	50	105±5	5250±250						
		1050 (7P9S)	60	100±5	6000±300						

① Luminous efficacy of 3000K is 5% lower than other CCTs.

Working environment & Packing

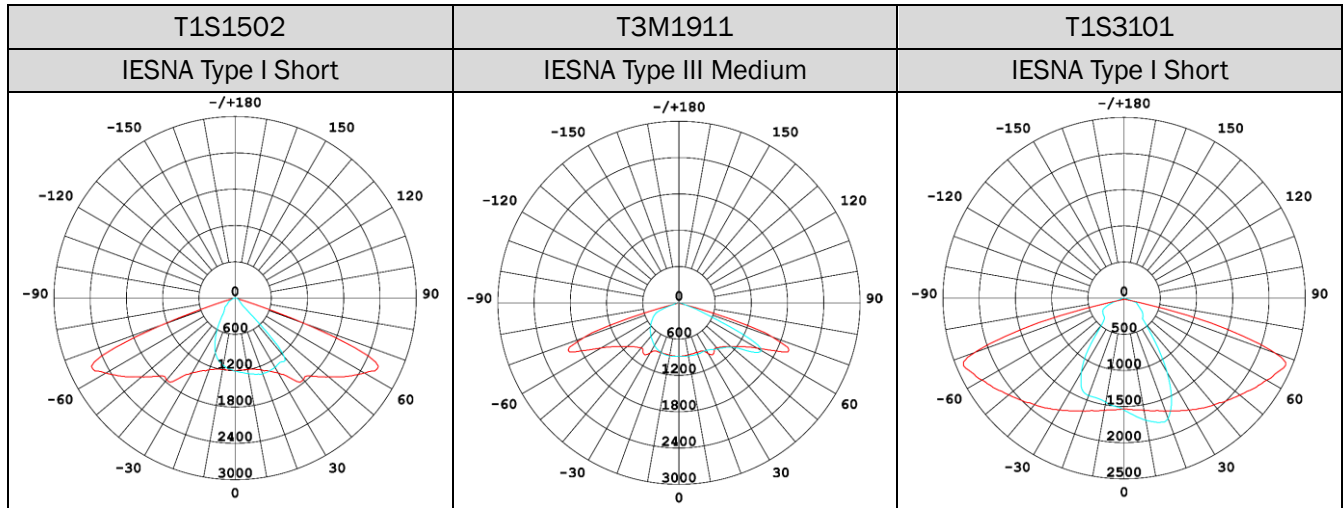
Model	Working Environment	Storage Temperature	IP Rating	LED Life Span (h)	Surge Protection	Housing Material	Pole Diameter (mm)	Product Dimensions (mm)	Carton Size (mm)	N.W (kg)	G.W (kg)
T1D	-40℃~+50℃, 10%~90%RH.	-40℃~+50℃	Whole fixture IP66	>50,000	≥10	Metal	60±3	580*240*170	655*290*165	2.8	3.3

Warranty

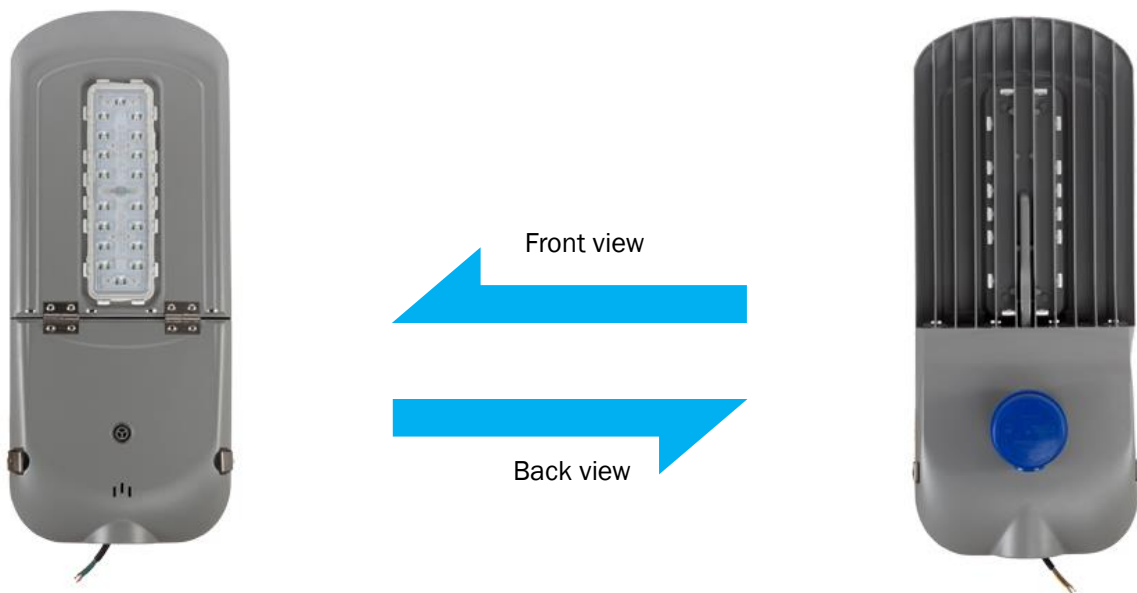
5-year limited warranty is standard on luminaire and components.

Light Distributions

- Adopt Lumileds LEDs

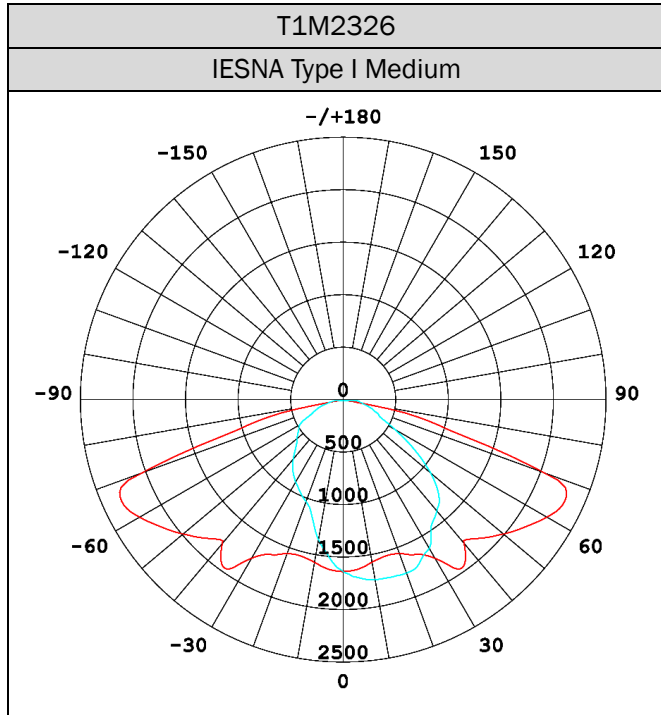


- External Design Features



Light Distributions

- Adopt Lumileds Luxeon 3030 LEDs
-

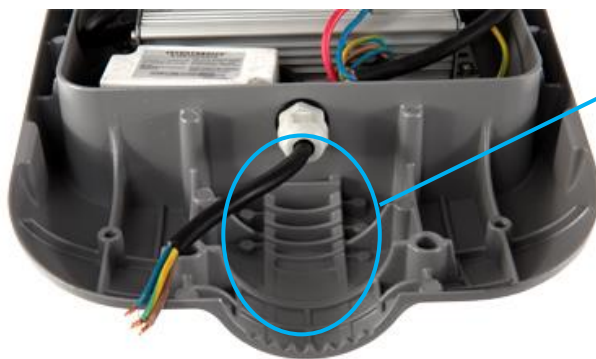


- Internal Design Features



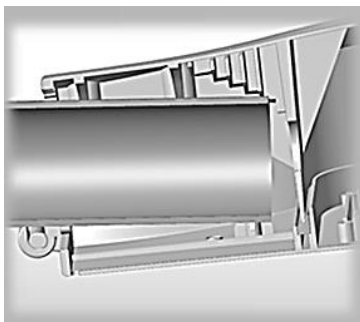
T1D Standard Pole

Pole diameter $\Phi 57-63\text{mm}$
Installation depth 84-94mm

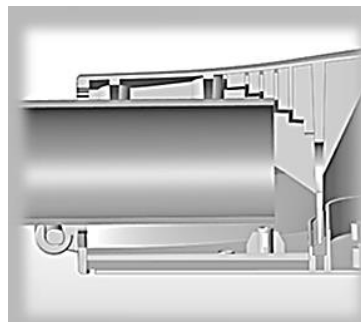


Angle of elevation

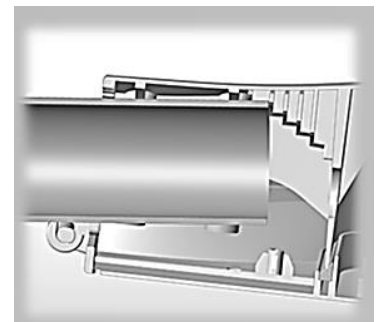
Adjustable by $\pm 5^\circ$ (2.5° for each adjustment)



Angle of elevation $+5^\circ$

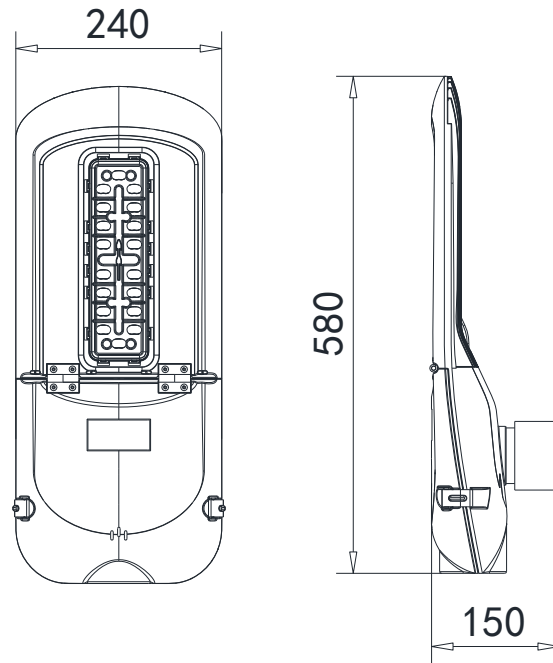


Angle of elevation $+0^\circ$ (Standard)



Angle of elevation -5°



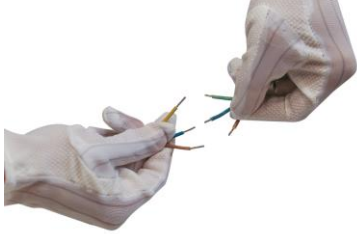


Dimensions



Installation Design Features



Installation

		
<p>1. Pull the two latches at side, then open the cover.</p>	<p>2. Loosen the two M10×30 hexagon socket screws on the mounting bracket.</p>	<p>3. Connect the wires to the AC input. Make sure the wiring correct and grounding reliable.</p>
		
<p>4. Infix the luminaries onto a pole. Adjust to the right elevation. Tighten up the two M10 X 30 hexagon socket screws.</p>	<p>5. Close the upper cover and lock it with the two latches at side. Installation finished.</p>	

Maintenance

Driver & Electrical Parts

		
<p>1. Pull the two latches at side, then open the cover.</p>	<p>2. Loosen the two M10×30 hexagon socket screws on the mounting bracket.</p>	<p>3. Disconnect the wires from the AC input. Take out the lamp.</p>
		
<p>4. Loosen the M16 PG connector and pull out the wire.</p>	<p>5. Loosen the two M4×8 screws at the end of surge protection.</p>	<p>6. Loosen the gland nut at the terminal block.</p>
		
<p>7. Loosen the M3×6 cross recessed pan head screw at the ground wire</p>	<p>8. Take out the surge protection</p>	<p>9. Disconnect the Input wire from the terminal block.</p>
		
<p>10. Loosen the four M4x10 screws at the ends of the failed driver. Replace the failed driver set with a new one.</p>	<p>11. Replace the failed driver set with a new one. Connect and tighten up each part back step by step.</p>	<p>12. Maintenance finished.</p>

Ordering Information

- **Example:** T1DS-60GY-L1502-740-IN

Ordering Information	T 12A S - 2 - 100 GY - M7 L 2861 - 7 40 - PH											
	1	2	3	4	5	6	7	8	9	10	11	12
1. Luminary Type	T: Street light			TS: Tunnel light			TF: High bay light			FL: Flood light		GL: Garden light
2. Luminary Series	11A	1B	1D	1F	2A	2C	3A	3B			
3. Driving Current	Blank/N: ≤700mA					S: >700mA						
4. Module Qty	N: Non-modular luminary			1: 1 module		2: 2 modules		3: 3 modules		4: 4 modules		
5. System Power	10: 10W		20: 20W		30: 30W		40: 40W		50: 50W			
6. Housing Color	BK: Black		WH: White		GY: Grey		SR: Silver		BU: Blue			
	BUWH: Blue top & White base			BUGY: Blue top & Grey base			OTH: Other					
7. Module Series	Blank: Non-modular luminary				M1: M1 module		M2: M2 module		M8: M8 module			
8. LED Brand	L: LUMILEDS		C: CREE		O: OSRAM		N: NICHIA		S: SAMSUNG		OTH: Other	
9. Lens Code	3501		3100		3702		3910		2701		5703 3040 1812 1412	
10. CRI	6: ≥60		7: ≥70		8: ≥80		9: ≥90		OTH: Other			
11. CCT	30: 3000K		40: 4000K		50: 5000K		57: 5700K					
12. Driver Brand	MO: MOSO		MW: MEAN WELL		PH: PHILIPS		IN: INVENTRONICS		AD: ADAYO		OTH: Other	

Revision History

Change Date	Rev.	Description of Change		
		Item	From	To
2016/03/16	Rev1.0	Datasheets Release		
2016/04/18	Rev1.1	Light distribution		Modification
2016/12/21	Rev1.2	Structure adjustment	Driver installed in the cover	Driver installed in the driver box