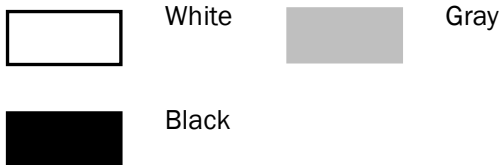


Applications

- Roadway lighting
(Underground passages, residential areas, overpasses...)
- Public areas lighting
(Theme parks, squares...)

Standard Colors



Features

- All metal structure design, built-in driver;
- Double-coupling IP68 protection for optics set, highest waterproof level;
- Ergonomic lighting distribution to achieve uniform illuminating effect;
- Integration of lamp housing heat dissipation technology.



Electrical & Photometric

Model	Input Voltage (V) Frequency Range (Hz)	Drive Current (mA)	Power (w)	Luminous Efficacy (lm/w)	Lumens (lm)	Power Factor	Power Efficiency	Light Distributions	LED Brand	CCT (k)	CRI
T1M	AC100-240 50/60	370	20	140±8	2800±160	0.95	85%	Batwing (Type II)	Customized Chips from World-leading Supplier	3000	≥70
		650	35	123±8	4305±280	0.95	88%			4000	
		720	40	118±8	4720±320	0.95	88%			5000 5700	

Working environment & Packing

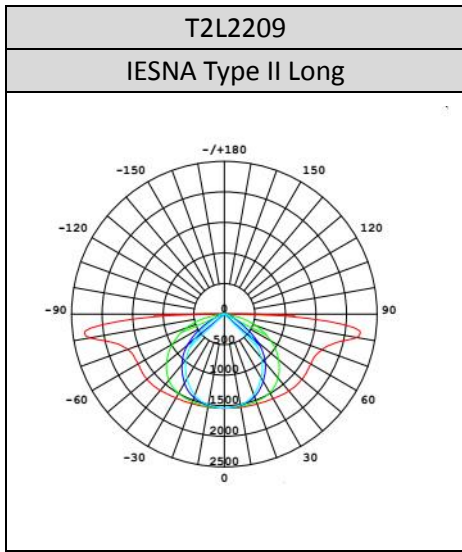
Model	Working Environment	Storage Temperature	Surge Protection	IP Rating	LED Life Span (h)	Housing Material	Product Dimensions (mm)	Carton Size (mm)	N.W (kg)	G.W (kg)
T1M	-40℃~+50℃, 10%~90%RH.	-40℃~+50℃	15KV	Whole Fixture IP67	>50,000	Aluminum Alloy	415*125*90	550*355*510 (Master Carton) ^①	1.9	20.5 (Master Carton)

① Master carton include 10pcs T1M luminaires.

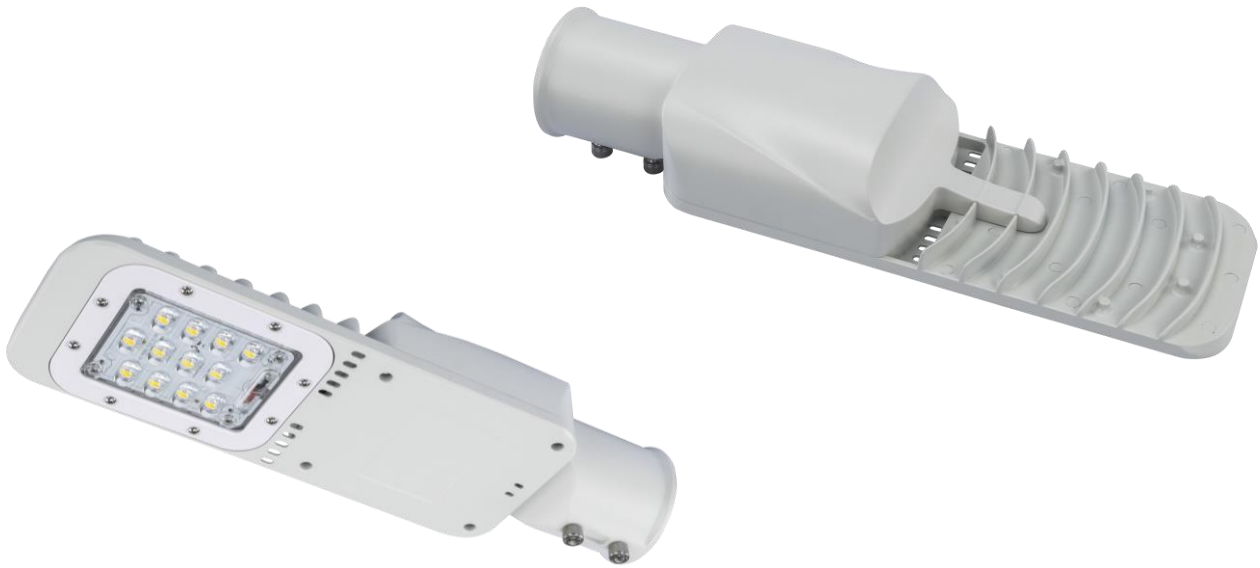
Warranty

5-year limited warranty is standard on luminaire and components.

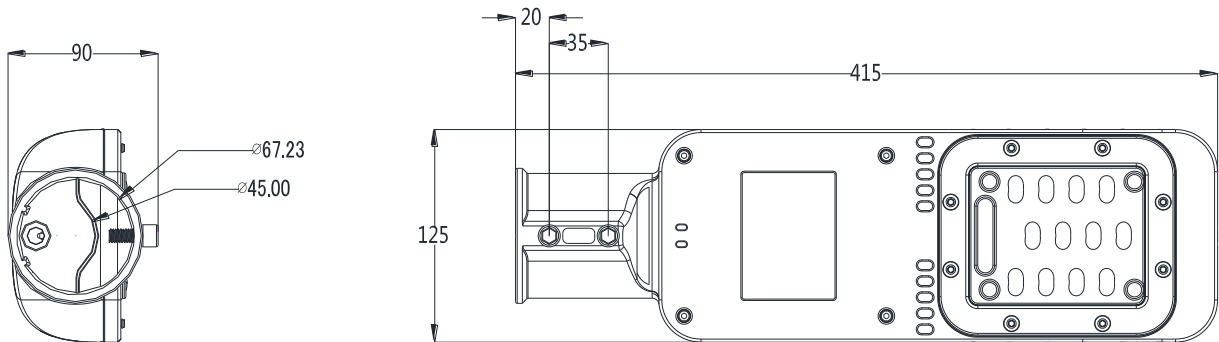
Light Distributions



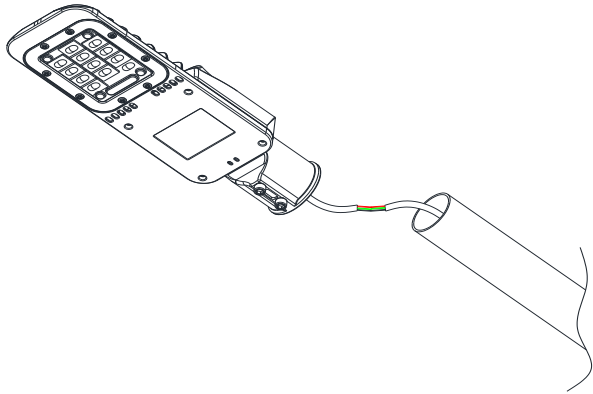
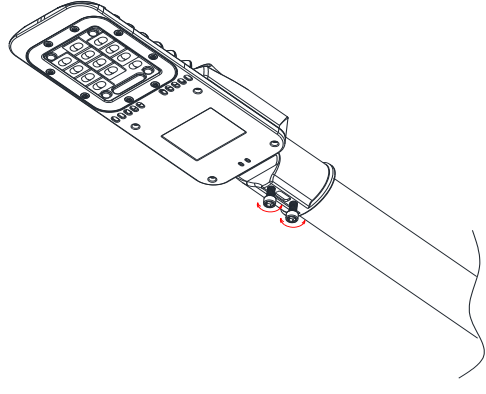
Design Features



Dimensions



Installation

	
<p>1. Connect the wires to the live, neutral and ground wire of the AC input (make sure it grounded sufficiently).</p>	<p>2. Loosen the mounting screws and insert the lamp into the pole, fasten the screws. Installation finished.</p>

Revision History

Change Date	Rev.	Description of Change		
		Item	From	To
2016/07/28	Rev1.0	Datasheets Release		
2016/09/08	Rev1.1	Data of 20W and 40W		Added
2016/11/10	Rev1.2	Data of Luminous Efficacy		Modification